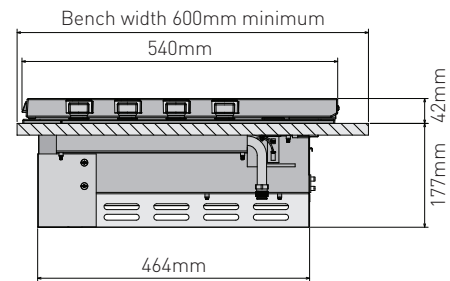
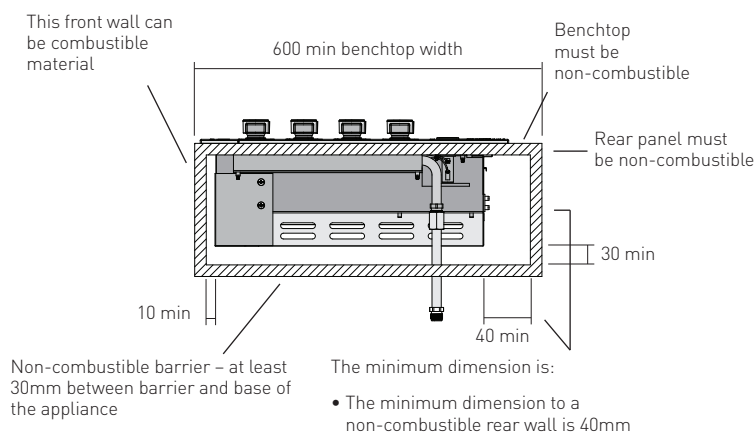
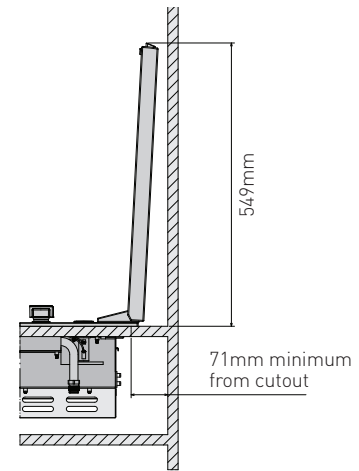
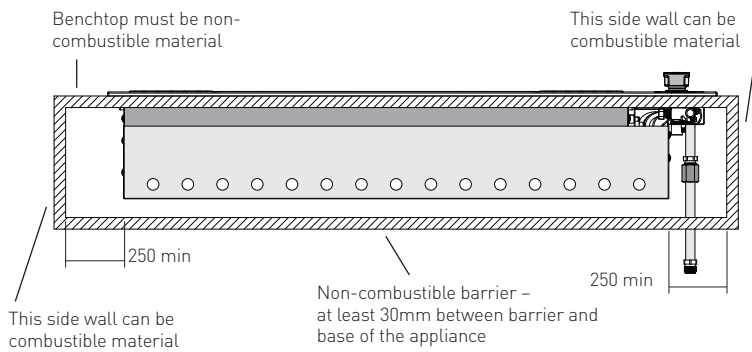
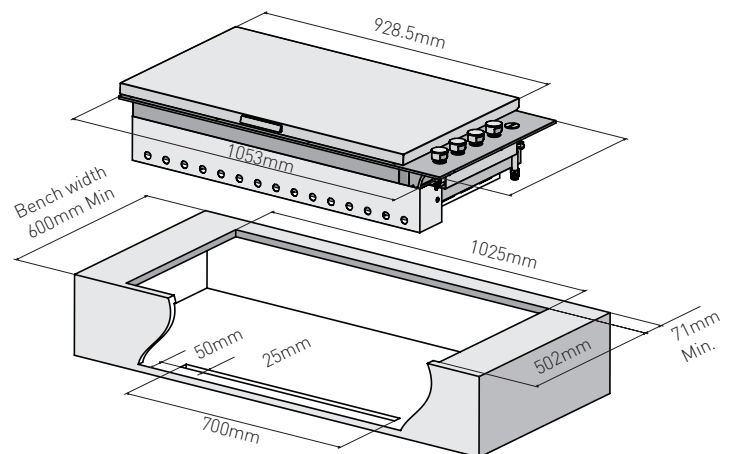


DIMENSIONS



Island style installation

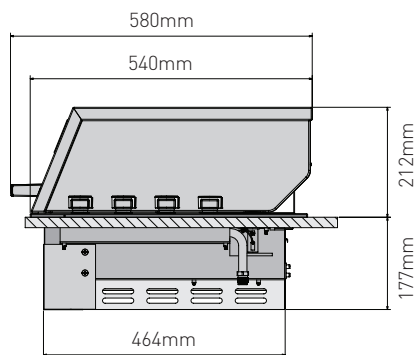
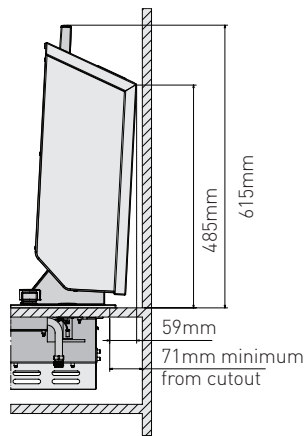
(example shown with barbecue with slimline line)



Alternate vent location in base of enclosure
(front panel cut away for clarity)

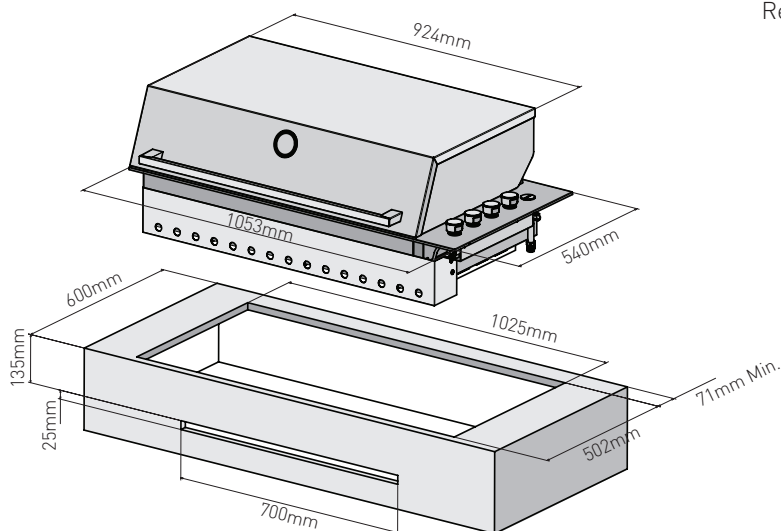
WARNING!

This appliance requires venting. An open area as indicated must be allowed for. A suitable grille can be fitted if desired. This vent area is to allow air into the enclosure for the correct combustion of gases and for the correct exhausting of the products of combustion. The vent must be no less than 700mm x 25mm.



Installation in a bench with splashback

(example shown with barbecue with roasting hood)



WARNING!

This appliance requires venting. An open area as indicated must be allowed for. A suitable grille can be fitted if desired. This vent area is to allow air into the enclosure for the correct combustion of gases and for the correct exhausting of the products of combustion. The vent must be no less than 700mm x 25mm.

Installing in a bench with a splashback

- The splashback must be made from a non-combustible material unless it is at least 450mm from the appliance.
- Clearances between the barbecue and a combustible splashback are 250mm for the slimline lid model and 450mm for the roasting hood model.
- The minimum depth (front to rear) of the mounting bench is 600mm.
- The bench cut-out size required is 1025mm x 502mm. Refer to diagram above to left.
- For roasting hood models there is a specific clearance required at the back of the barbecue between the splashback and the bench cut-out of 71mm minimum. This is to allow clearance for the hood to open.

Island style installation

- If this appliance is installed in an island mount, it can be centrally positioned, provided all other instructions regarding clearances to combustible materials are followed. Special attention should be given to the overall size of the island top to consider the hood open and the overhang. Please see illustration.
- The cut-out size required is 1025mm x 502mm. Refer to diagram.