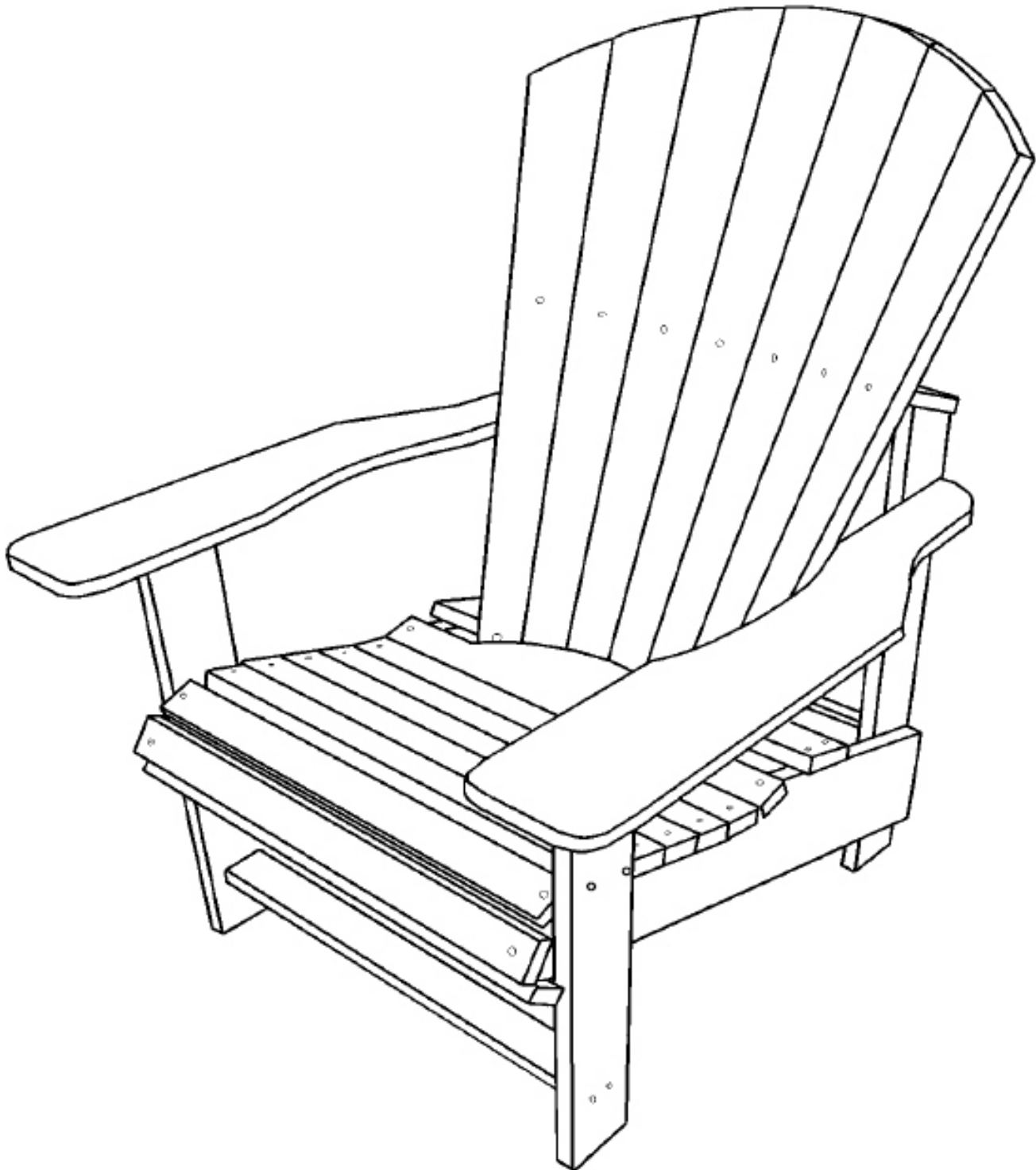




Generation Line

BY C.R. PLASTIC PRODUCTS INC

C03

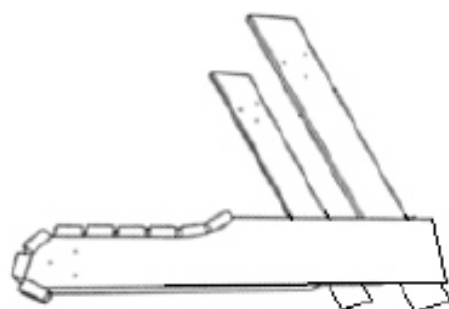




Generation Line

BY C.R. PLASTIC PRODUCTS INC

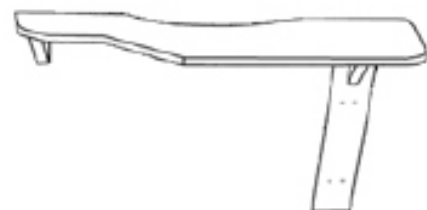
C03



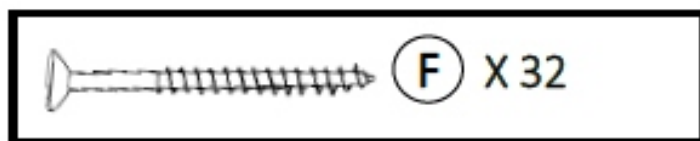
(A) X1



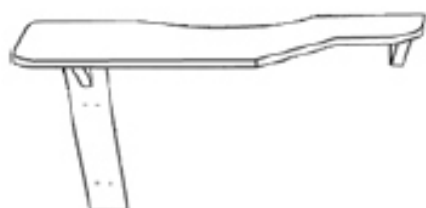
(E) X1



(B) X1



(F) X32



(C) X1



(D) X1



(G) X1

?



?



800.490.1283

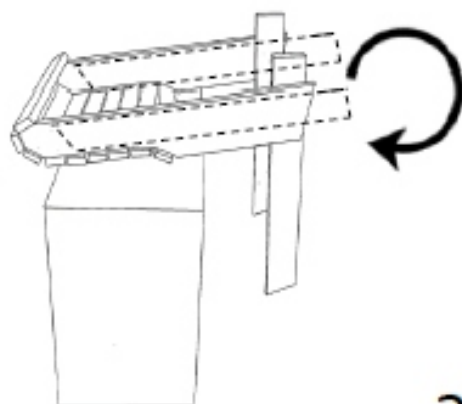
FAX

519.271.8544



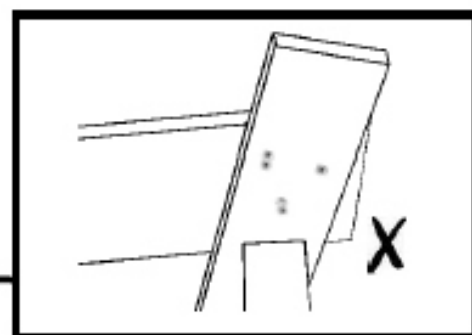
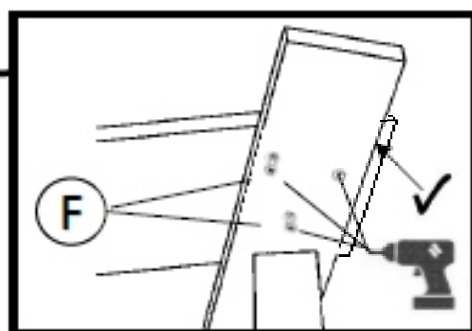
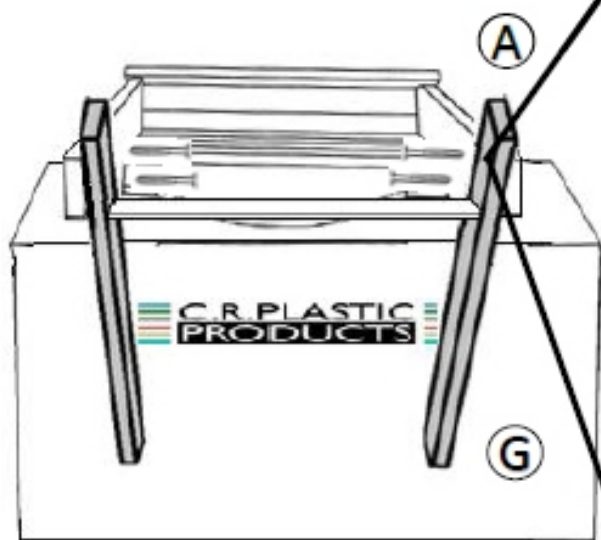
crpproducts.com

1



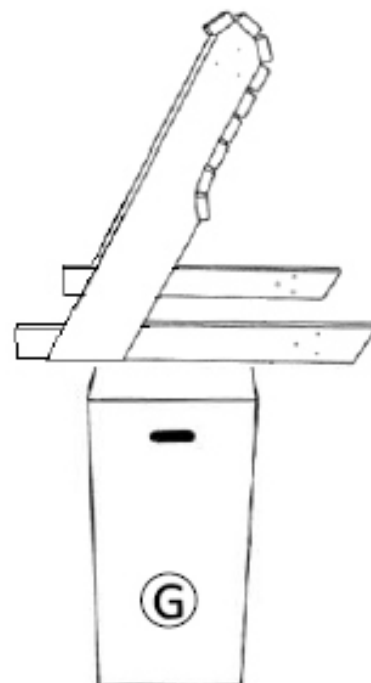
2

(F) X4



?

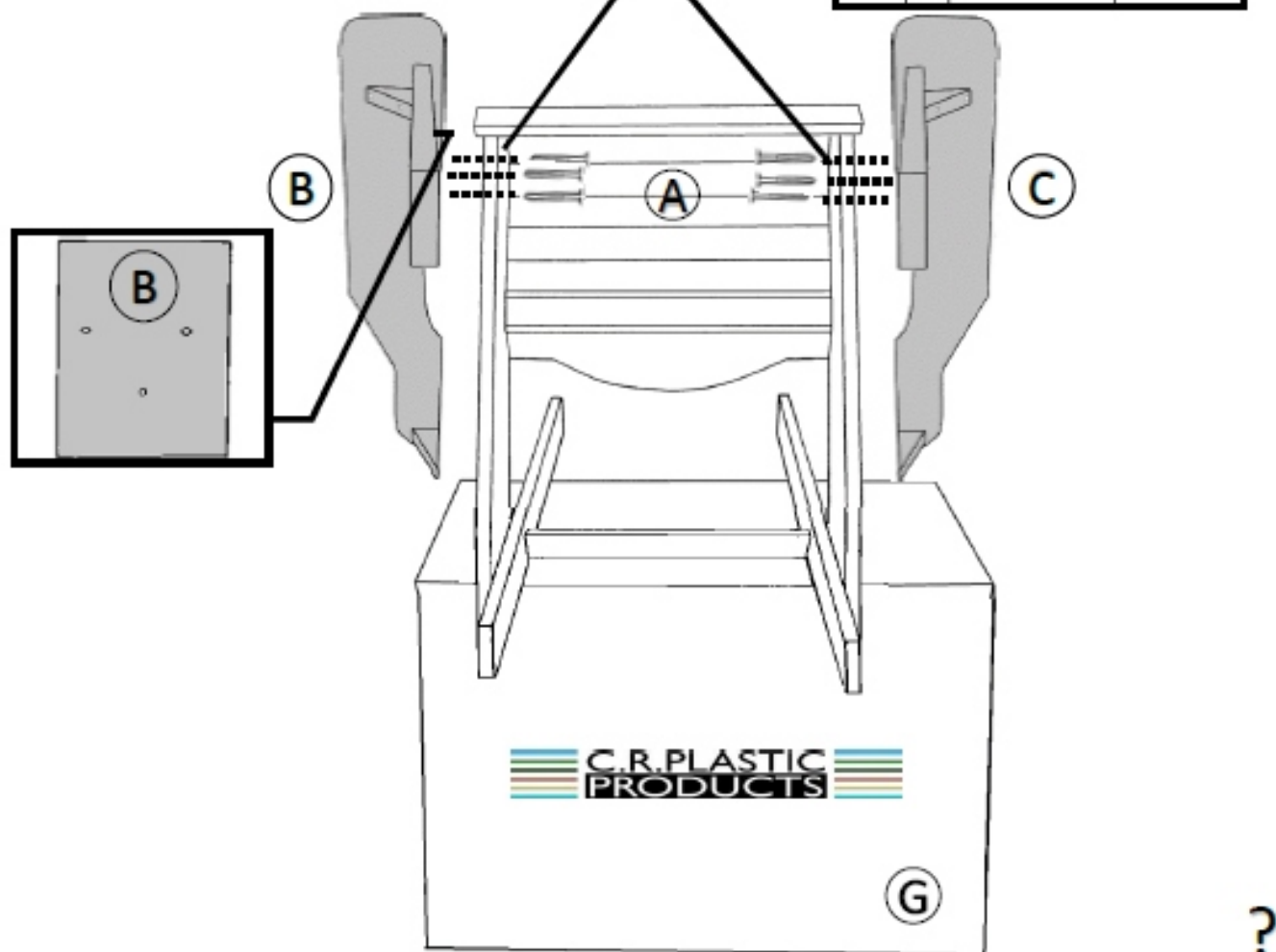
3



?

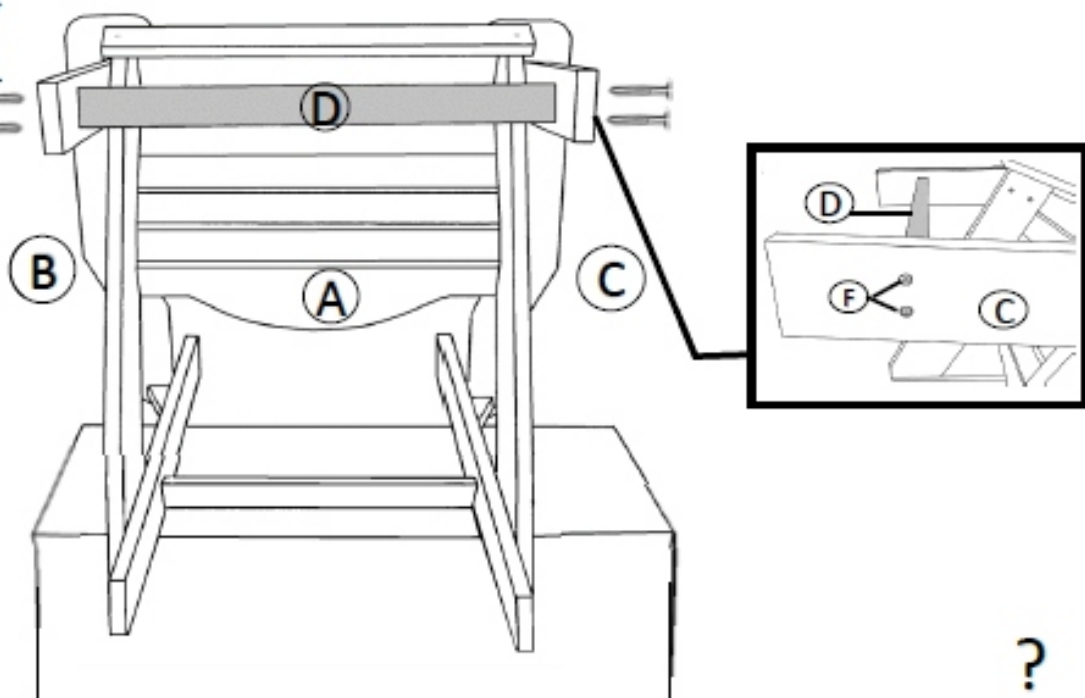
4

- (F) X6
- (B) X1
- (C) X1



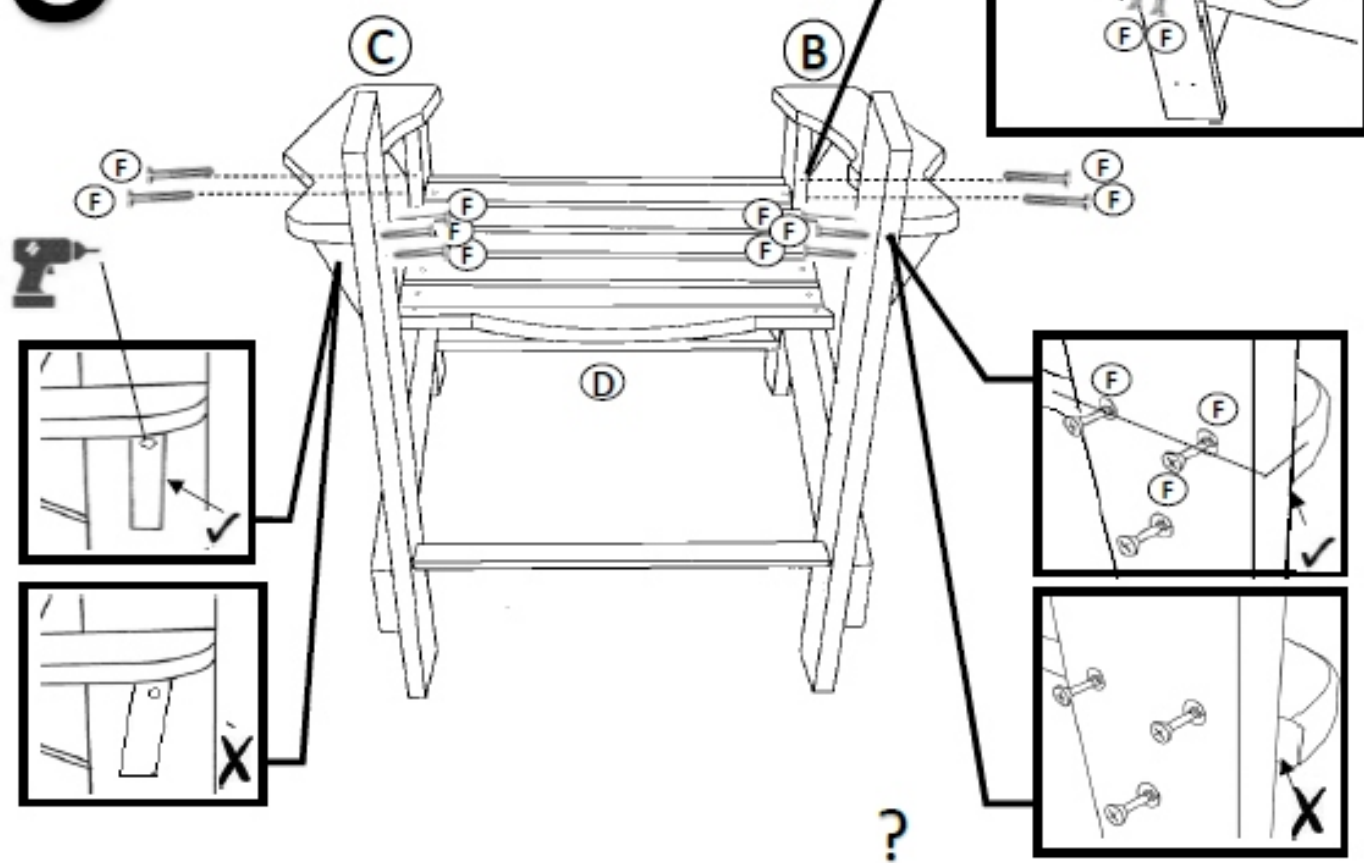
5

- (F) X4
- (D) X1



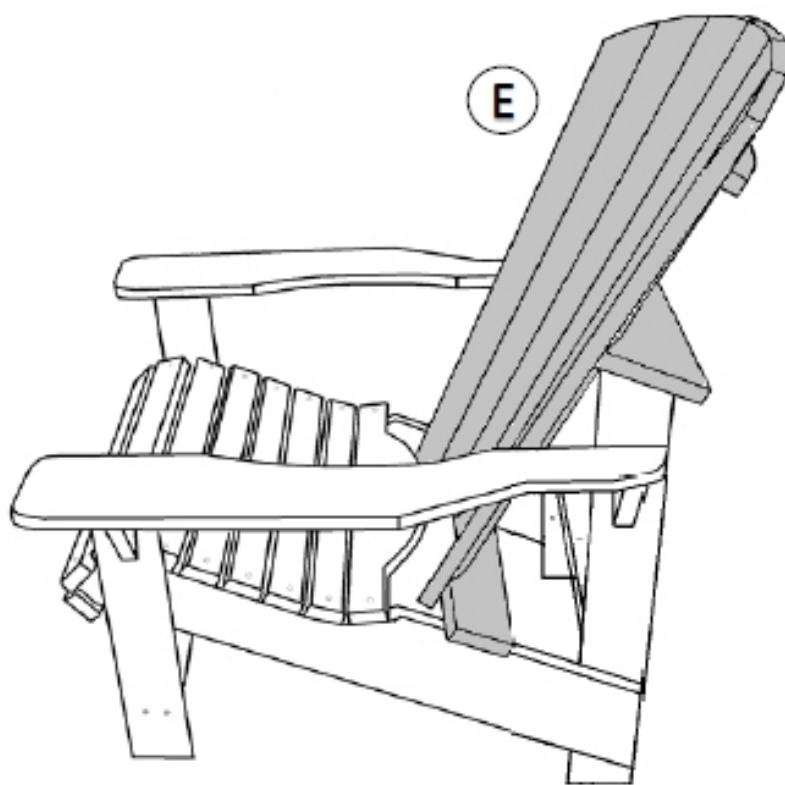
6

(F) X10



7

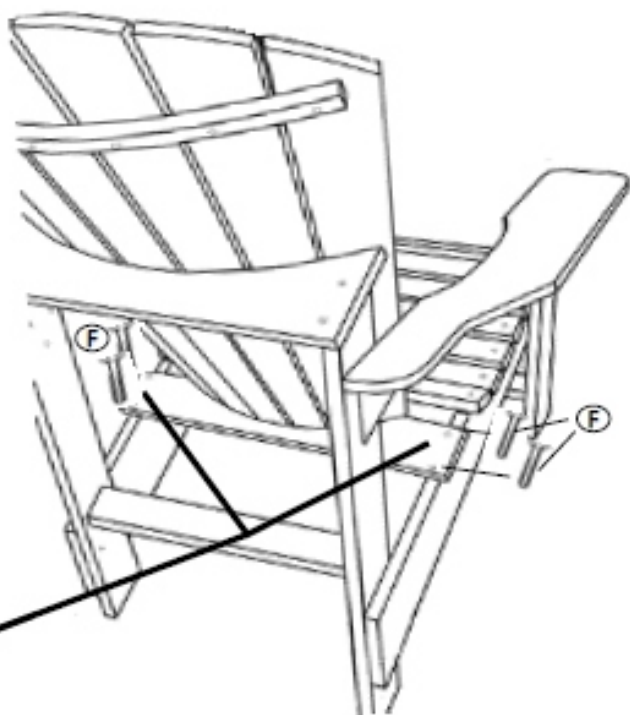
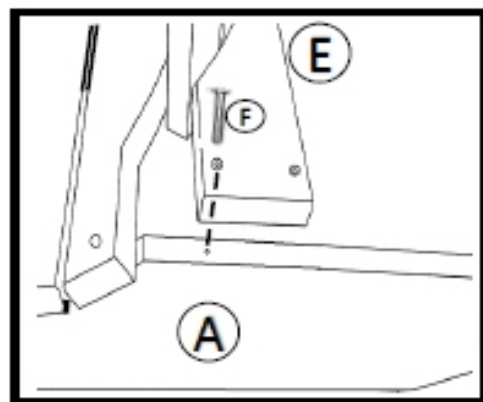
(E) X1



?

8

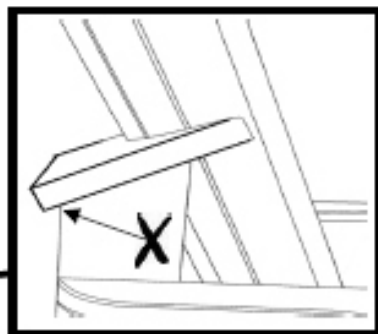
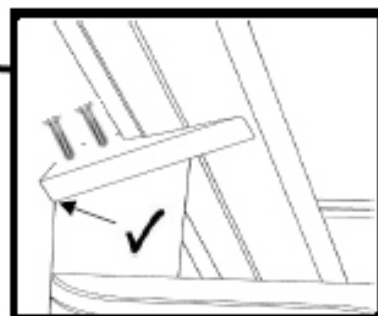
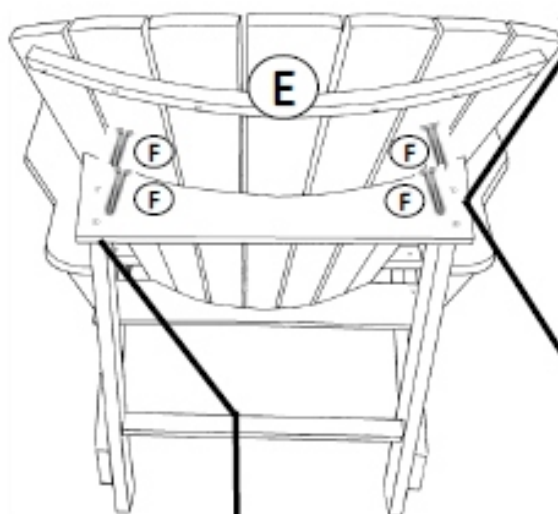
(F) X4



?

9

(F) X4



?

