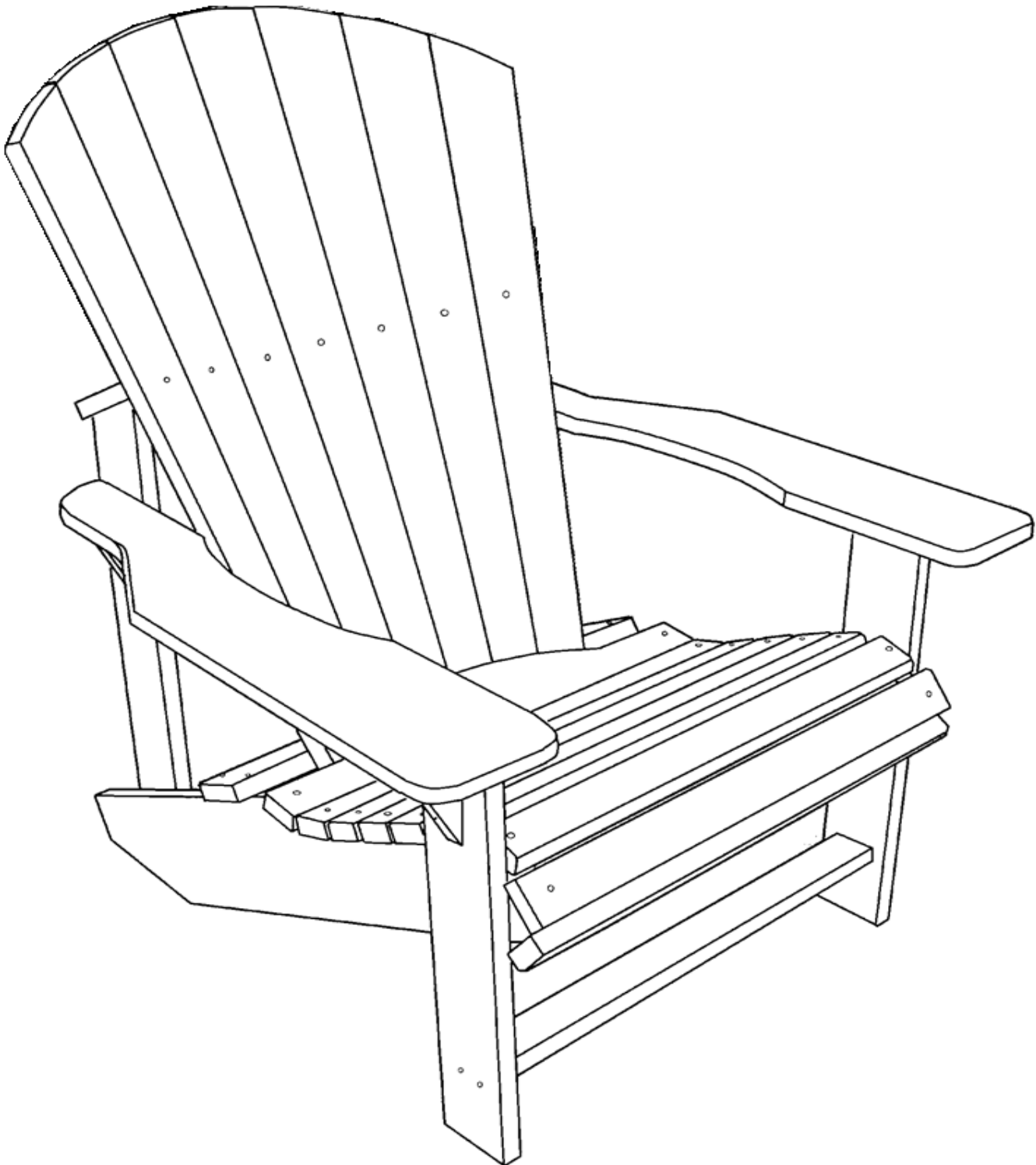




Generation Line

BY C.R. PLASTIC PRODUCTS INC

C01

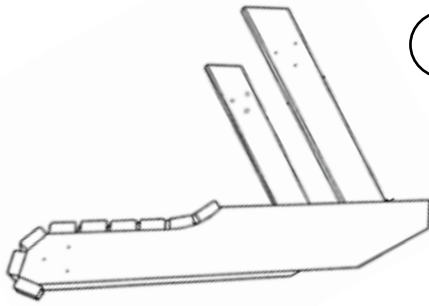




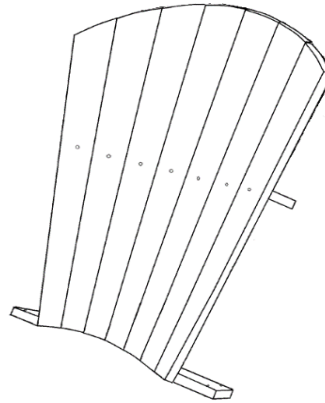
Generation Line

BY C.R. PLASTIC PRODUCTS INC

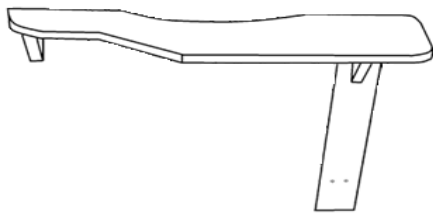
C01



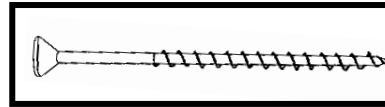
(A) X1



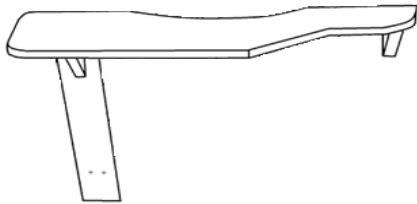
(E) X1



(B) X1



(F) X28



(C) X1



(G) X1



(D) X1

?



#2



800.490.1283

FAX

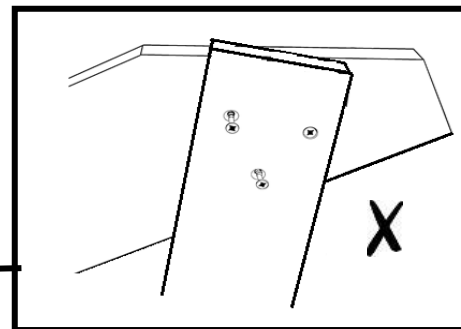
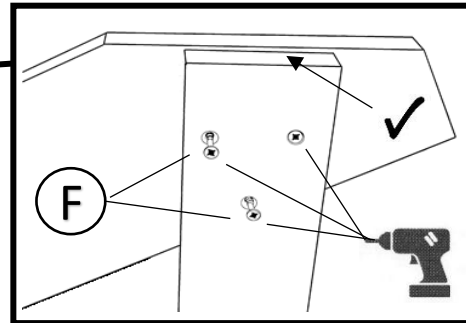
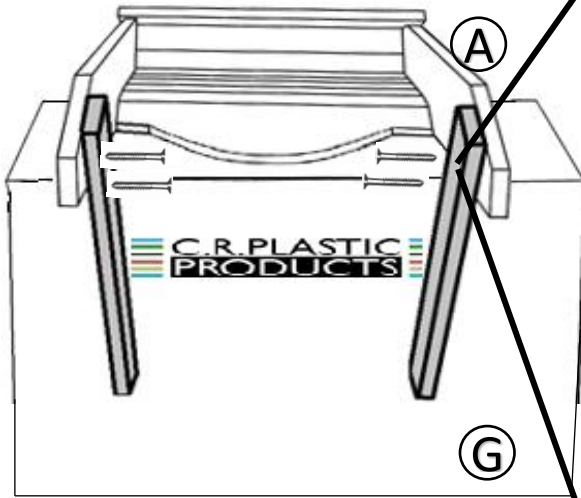
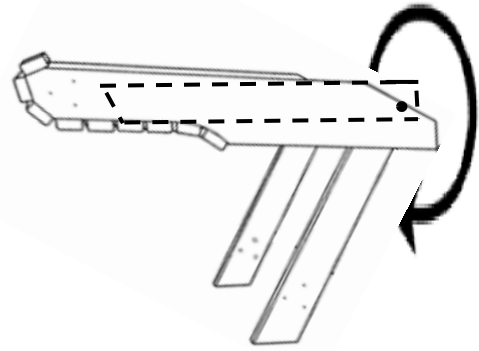
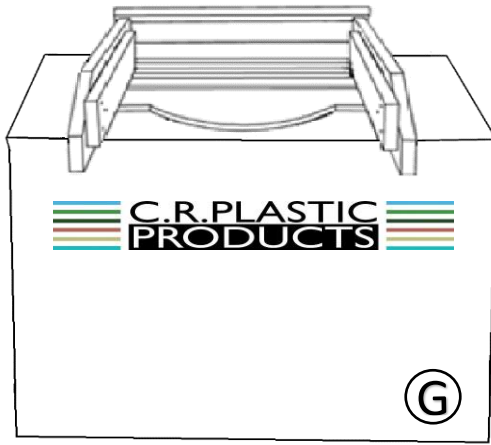
519.271.8544



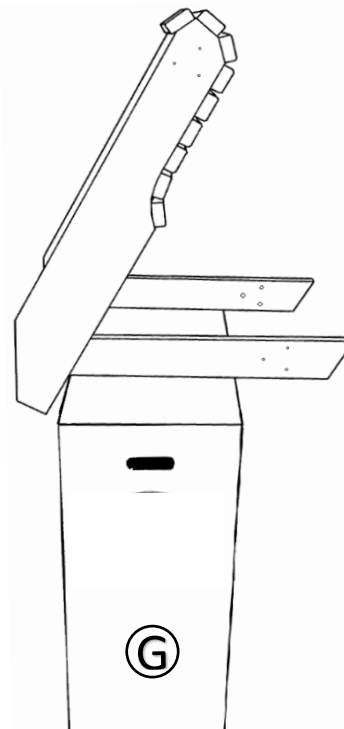
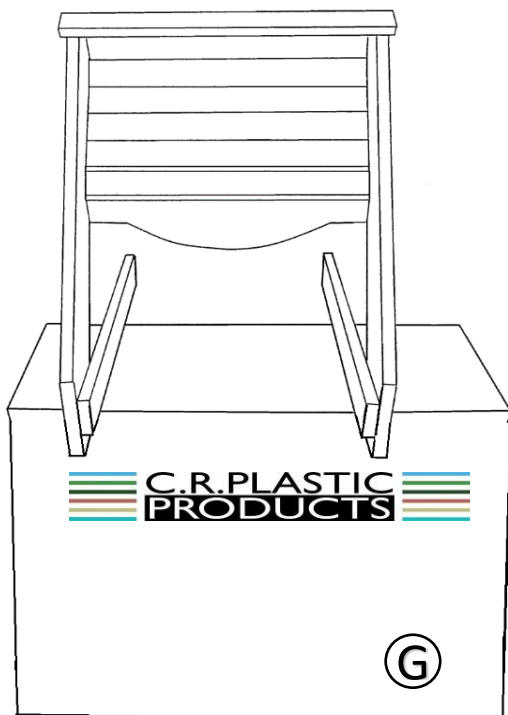
crpproducts.com

1

(F) X4

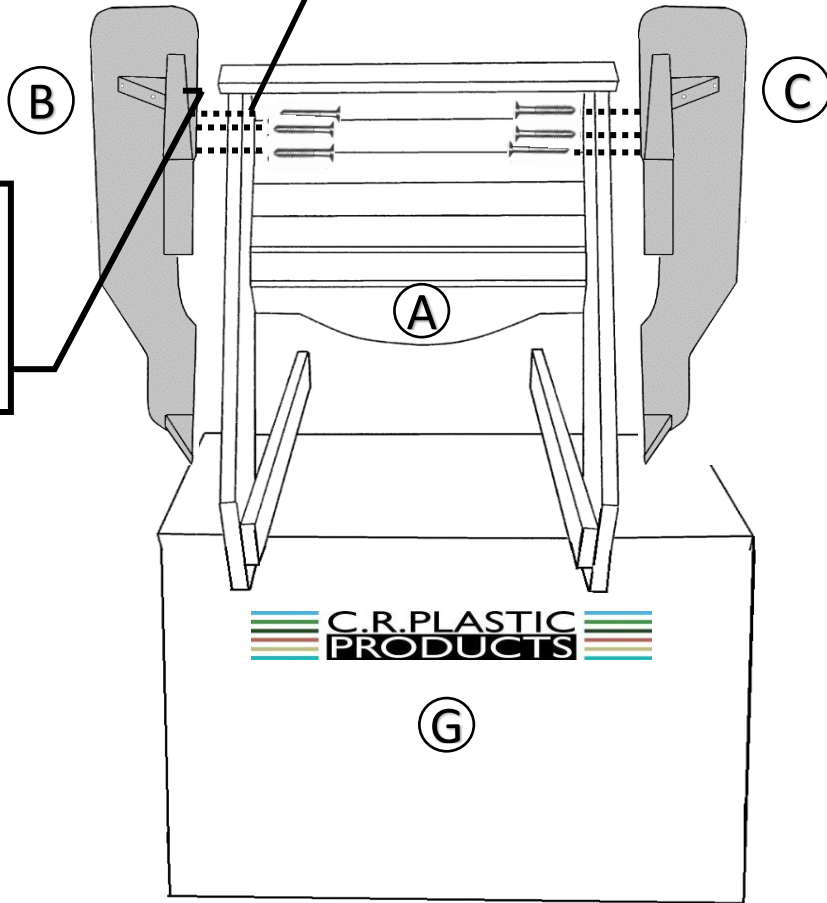
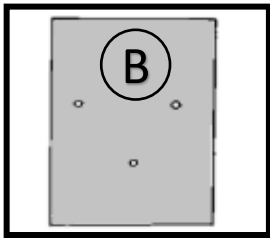
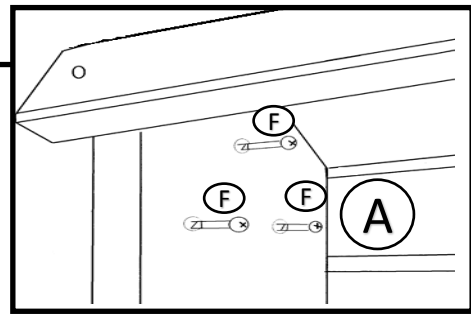


2



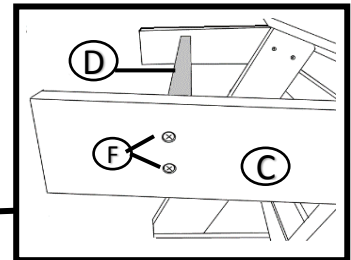
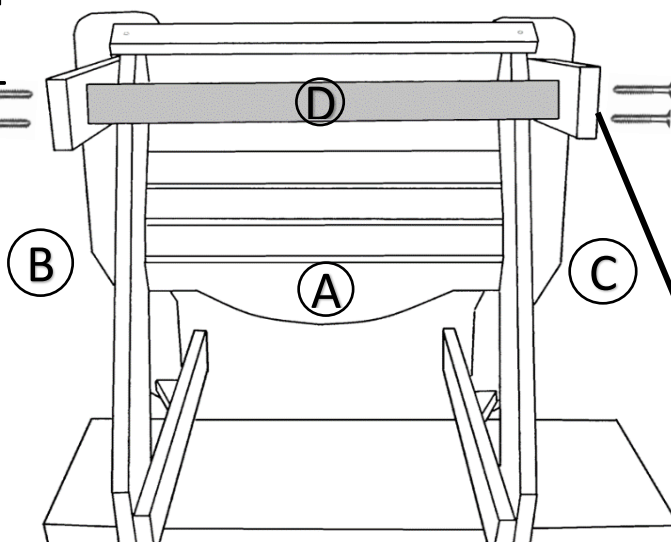
3

- (F) X6
- (B) X1
- (C) X1



4

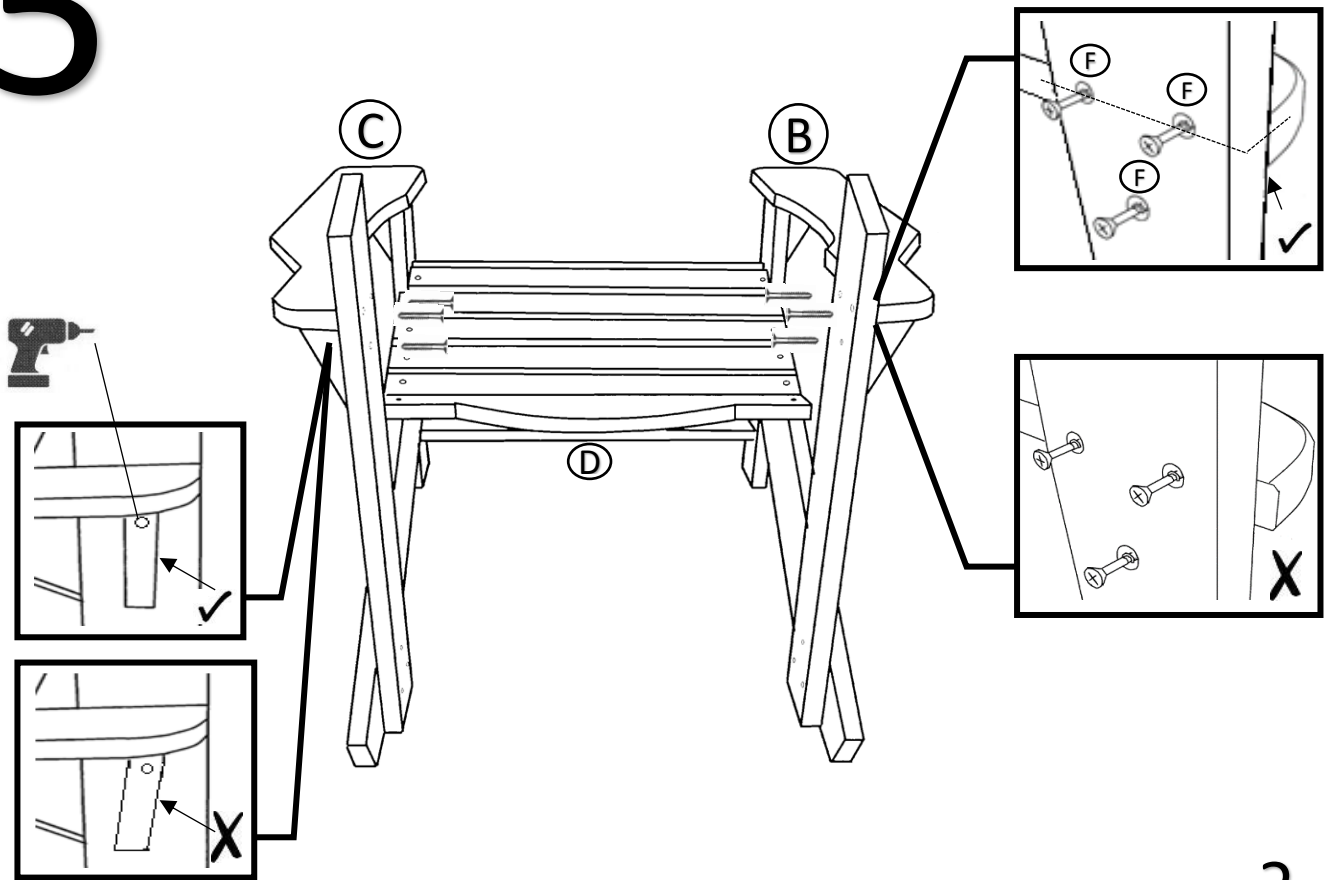
- (F) X4
- (D) X1



?

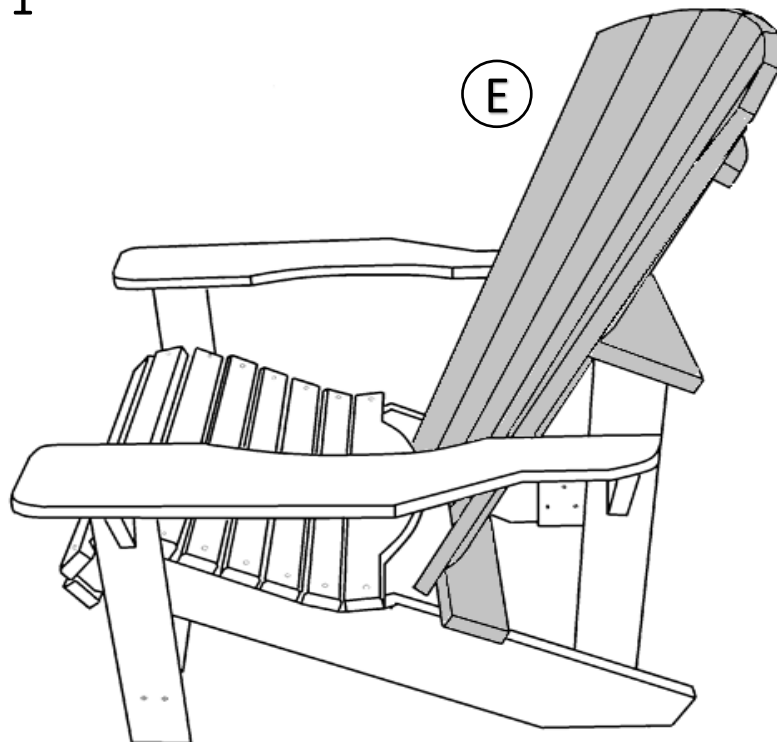
?

5 (F) X6



?

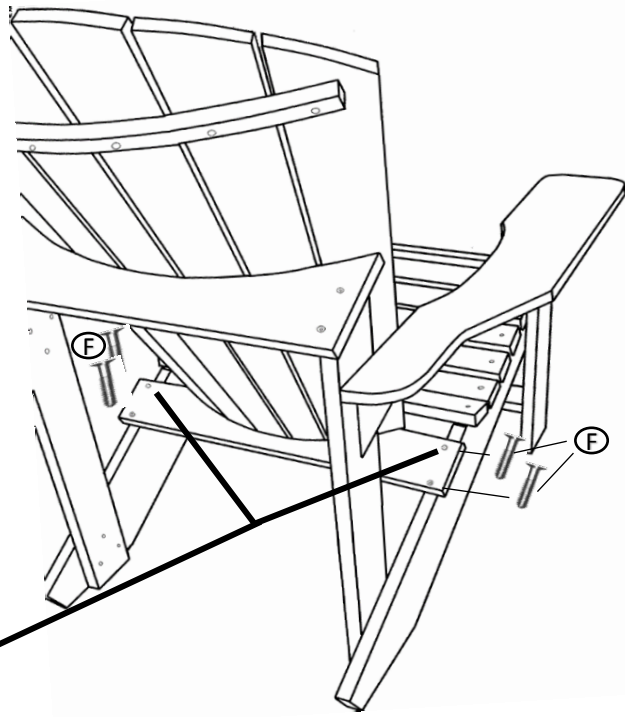
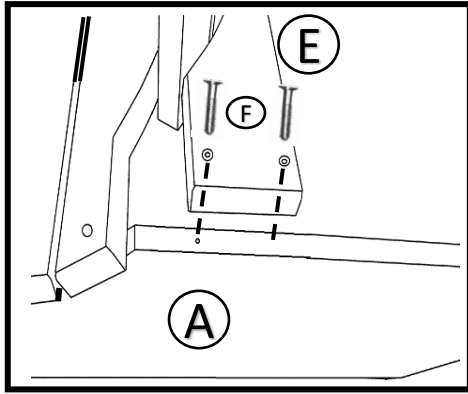
6 (E) X1



?

7

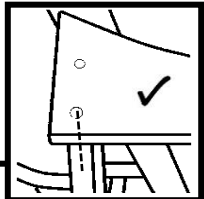
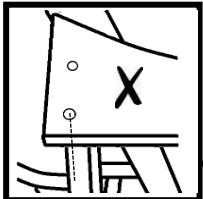
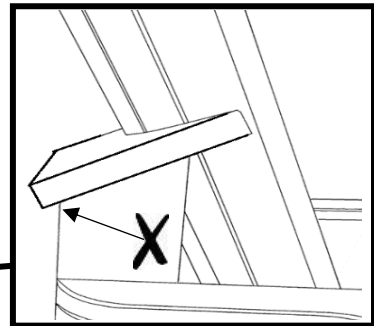
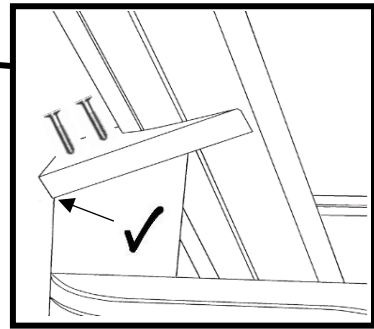
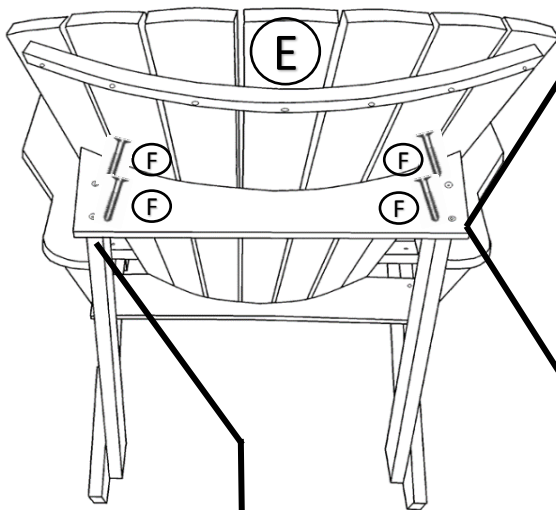
(F) X4



?

8

(F) X4



?

C01

