



Signature SL Built-in BBQ grill

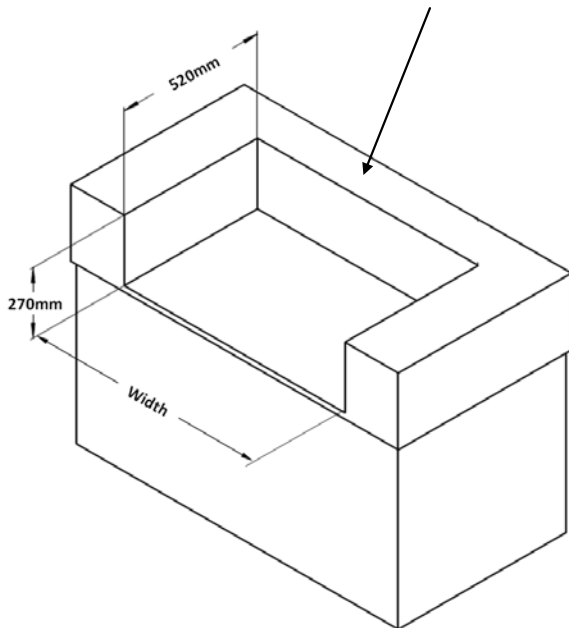
Cut Out Dimensions

For built-in installations: islands, masonry, other non-combustible material structures

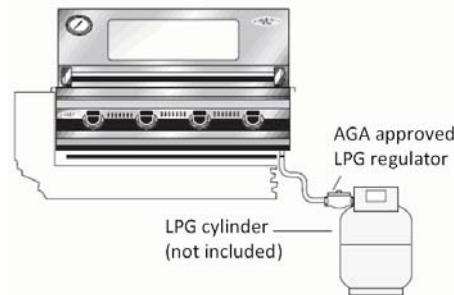
Signature SL Built-In BBQs	5 burner	6 burner
Width	1190mm	1345mm
Height	270mm	
Depth (includes 20mm rear ventilation clearance)	520mm	
Minimum Clearance to Combustible Materials	450mm	

Important:

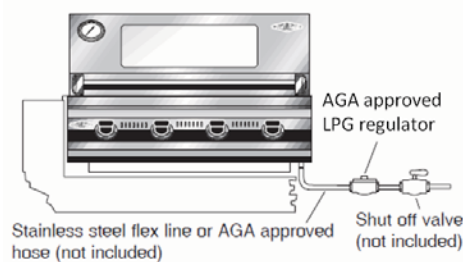
Allow sufficient distance at rear of installation for hood opening clearance requirements



LPG Installation



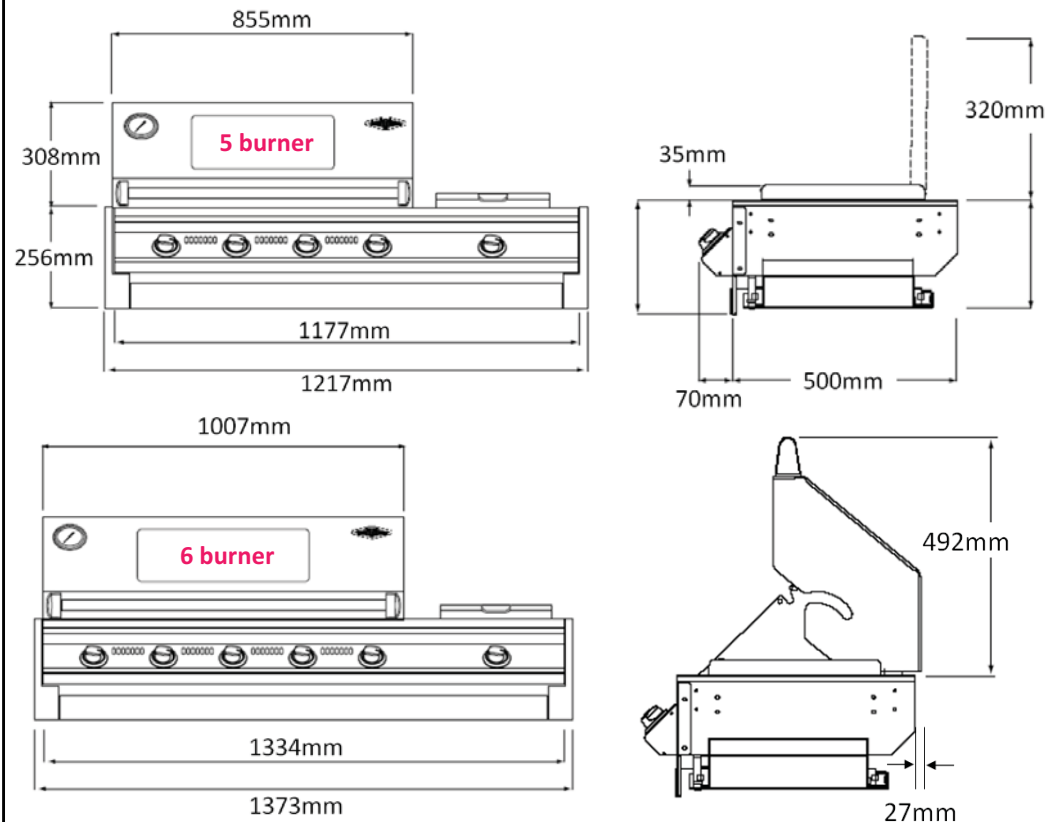
Natural Gas Installation



BBQ Dimensions

Model Series

➤ SL4000



Weight (with hood): 5 burner: 80.0kgs / 6 burner: 88.0kgs